

COB LED



IP65

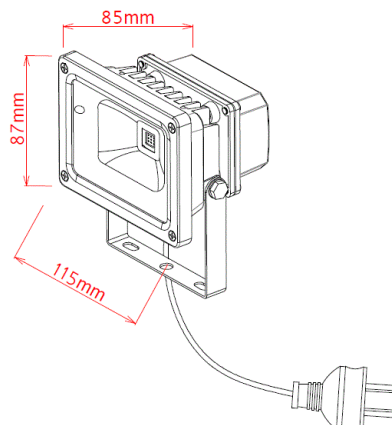
Description:

- Box style LED floodlight.
- High Lumen COB LED Chip
- Black / Grey painted outer casing and clear tempered safety glass lens.
- Hinge to direct light, Do-It-Yourself installation.
- Supplied with 3-pin plug and 1m lead
- Available in 10W, 20W, 30W 50W or 100W.
- High intensity die-cast aluminium body , better heat dissipation structure materials,
- High intensity tempered glass, it can resist the impact and friction , its luminous efficiency can reach up to 94%
- IP65 waterproof Rated

Application:

LED flood light widely used in stage, advertising board, Stadium, yard, garden, lawn, park, plaza, workshop, warehouse, supermarket, shopping mall, exhibition hall, gas station, highway toll station, dock .

Dimension:



Technical Parameters:

Code	FL1601
Shape Color	Black /Grey
Product size(mm)	115*87*85
Power (W)	10W
PF	>0.9
Input Voltage (V)	AC 85-265V 50/60Hz
Efficacy (lm/W)	90lm/W
LUMENS:	850LM-900LM
LAMP:	SMD LED
CCT (K)	3000K / 4200K / 5000K/ 6500K
CRI	80
Beam angle	100°
Material	Die-Casting Aluminium + tempered glass
Working Temperature	-30°C ~ +50°C
Installation	Surface mounted
IP Rating	IP65
Warranty	3 Years

Packing:

Code	Net Weight (KGS)	Color box (mm)	Qty/CTN (PCS)	GW/CTN (KGS)	Outer Carton (mm)
FL1601	0.55	140*110*115	12	8.0	320*300*260